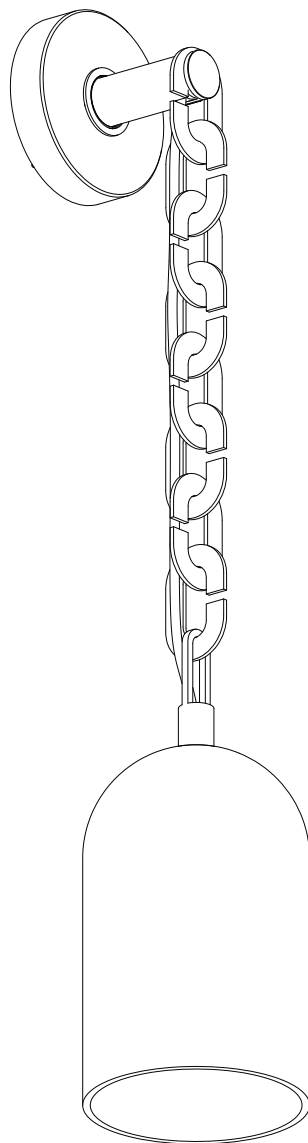




# DOME SCONCE

## Installation Instructions



**SkLO**

sklo.com

SkLO US 115 WEST NORTH STREET HEALDSBURG CALIFORNIA 95448 USA +1.707.385.2101 us@sklo.com

SkLO EU BRATŘÍ ŠTEFANŮ 902/71 500 03 HRADEC KRÁLOVÉ CZECH REPUBLIC +420.495.542.071 eu@sklo.com

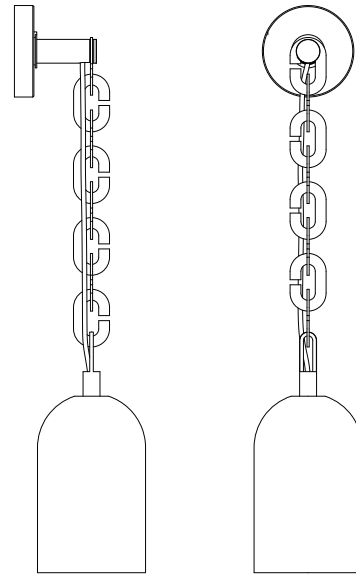


# DOME SCONCE

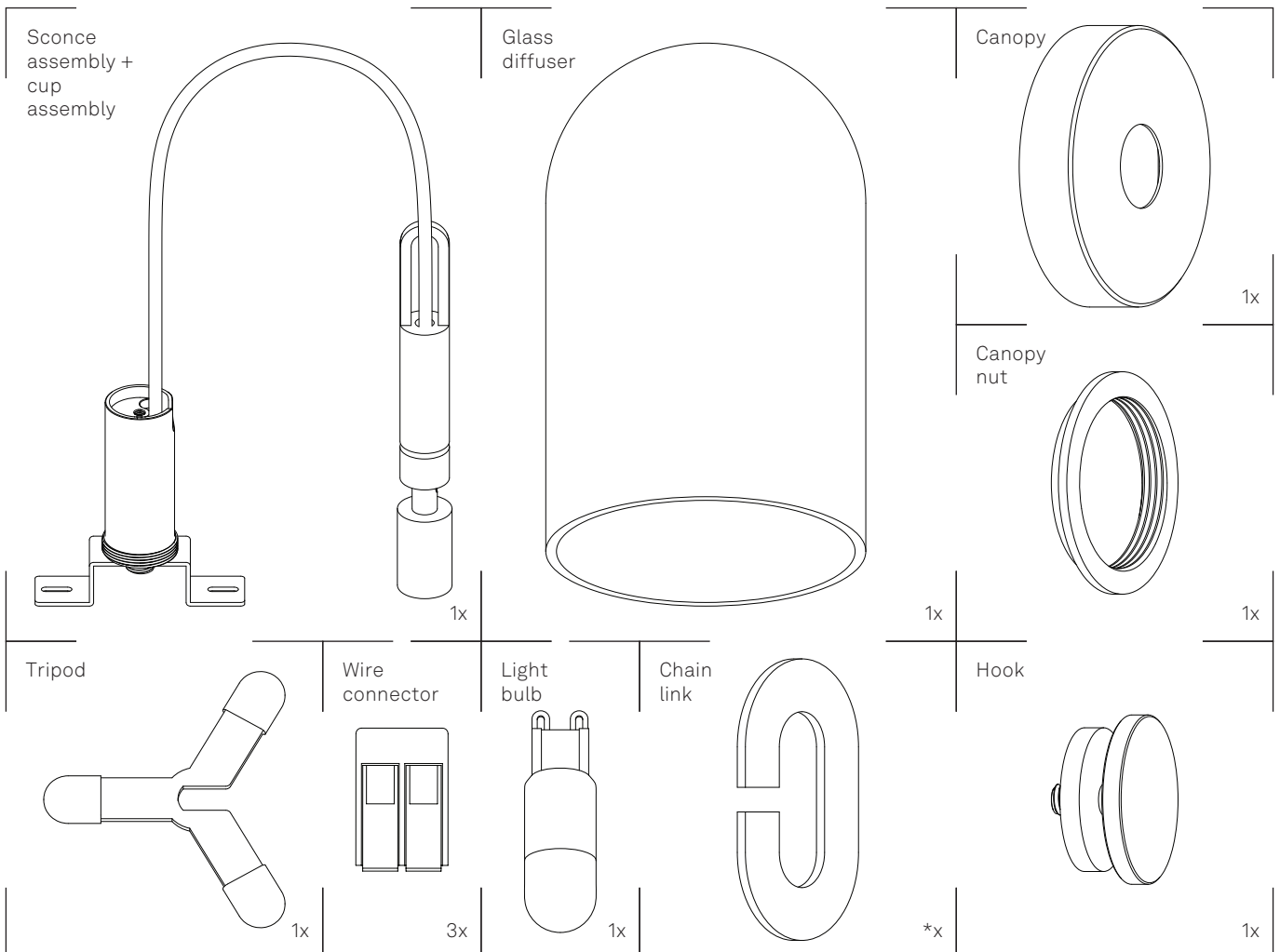
*Congratulations on your purchase of a SkLO Dome Sconce. This product must be installed in accordance with the applicable codes by a person familiar with the construction and operation of the product and the hazards involved, preferably a licensed electrician. Use a maximum 7W bulb.*

**When unpacking individual items and parts of the light fixture, make sure to lay them out on a protective surface that will neither mar the delicate metal finishes nor scratch the glass. Gloves (nitrile) are provided and must be worn during installation to avoid fingerprints on the finish of the exposed metal parts.**

*Your fixture will arrive with the hand-blown glass elements packed separately from the light fixture itself.*



## CONTENTS:



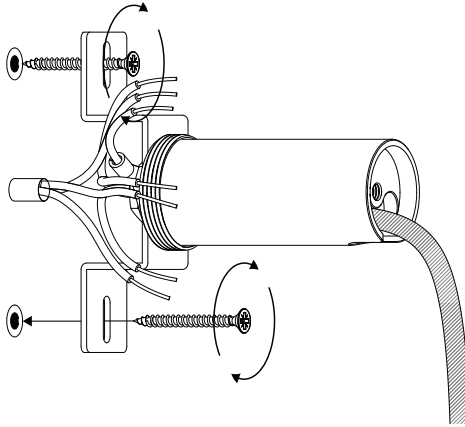
\*qty. based on order



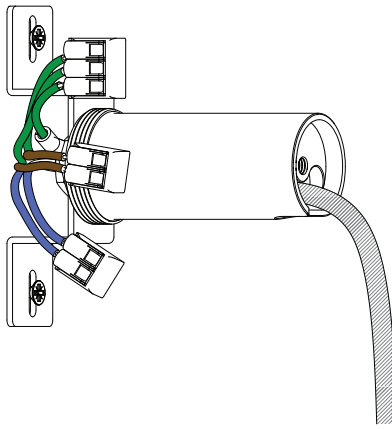
1. Mounting plate fastens directly to wall. Fasteners/ anchors (not provided) that are appropriate to the ceiling material being fastened to support the approximate 4 kg weight of the fixture must be installed (Figure 1)
2. Connect the exposed leads of the fixture to the exposed leads on a wall, following the wiring diagram and using the provided wire connectors. Attach the ground (TE) wires to ground (TE) wires of the light fixture, phase 1 (L1) to phase 1 (L1) of the light fixture, neutral (N) to neutral (N) of the light fixture (Figure 3). Please note the number and type of wire connectors may vary.
3. Carefully slide the canopy and the canopy nut together over the braided cable (Figure 3a) and sconce assembly. In order to make it easier lift the cable into a horizontal position (Figure 3b). Ensure the canopy and nut do not slip and scratch the sconce assembly or other fixture parts.
4. Install the hook component by screwing it into the threaded hole at the end of the sconce assembly. Do not fully tighten the hook yet (Figure 4a). Install the first chain link by sliding it over the hook (Figure 4b). Once the chain link sits on the hook, fully tighten the hook component.
5. Connect the chain links by sliding them into each other. Take great care when assembling the chain so that the chain links do not scratch. (Figure 5)
6. Carefully Install the chain onto the first chain link. (Figure 6)
7. Slightly raise the cup assembly and carefully hook it onto the chain. Ensure the chain links and the loop do not scratch during assembly (Figure 7).
8. Remove the protective packaging from the brass socket and install the supplied light bulb (7W Max) into the socket (Figure 8). Always turn off the power to the fixture when changing the bulb.
9. Unwrap the glass diffuser. Carefully slide the diffuser over the cup assembly, ensuring not to chip the glass during the installation. Take the tripod component and carefully slide it between a loop and a screw part of the cup assembly. The tripod acts as a wrench and fits onto the screw part in only in certain direction (Figure 9a). Once properly positioned, turn the tripod clockwise to fully tighten the screw into the loop part of the cup assembly. Slowly lower the glass diffuser until it rests on the tripod (Figure 9b). If needed, carefully adjust the diffuser's position on the tripod to straighten it.



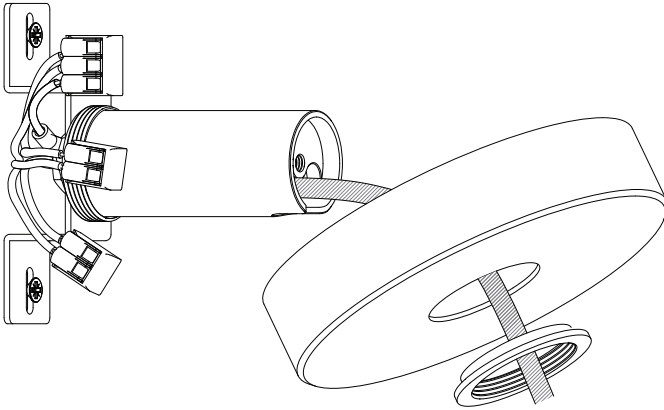
1.



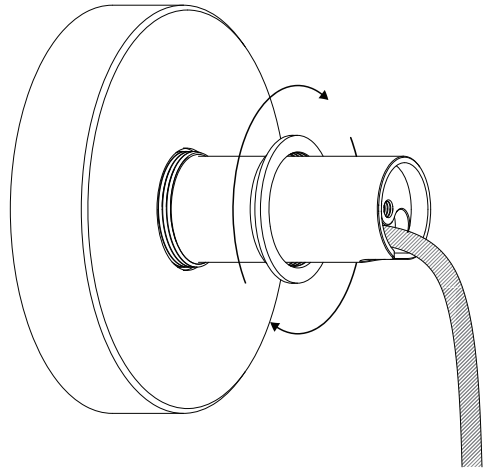
2.



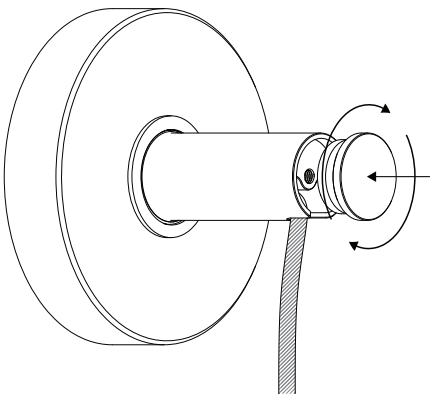
3a.



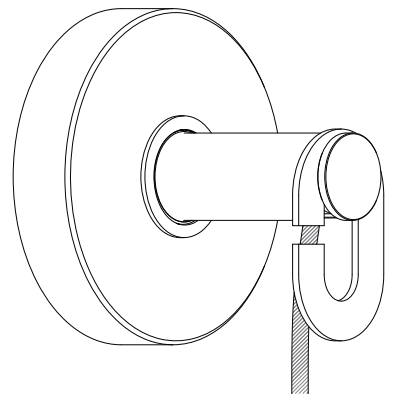
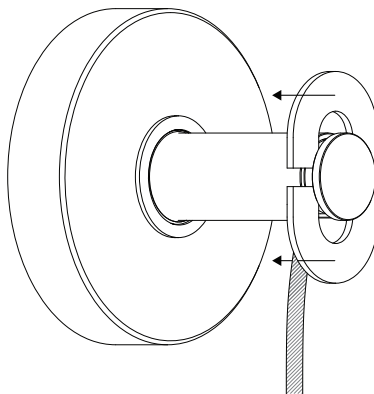
3b.

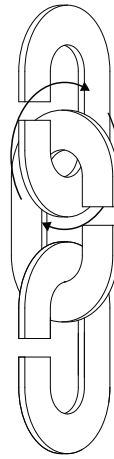
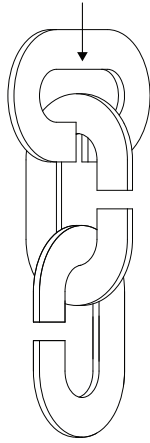


4a.

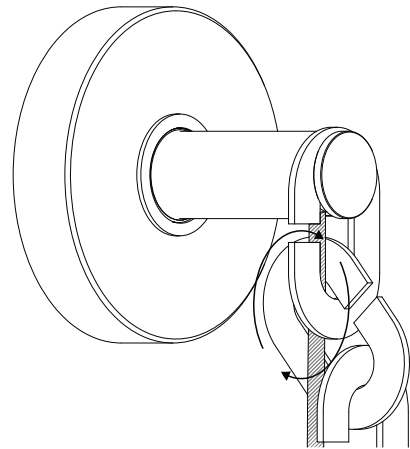
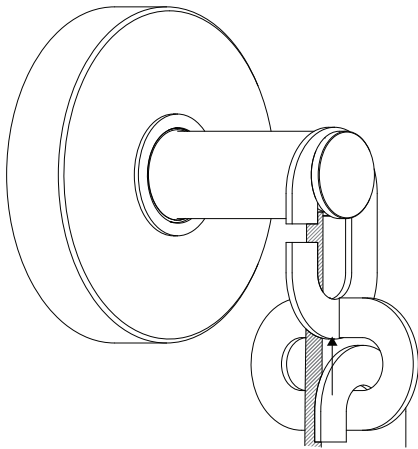


4b.

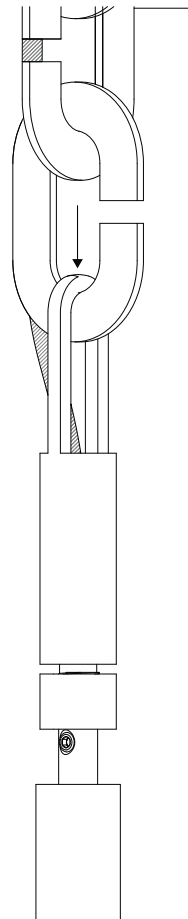
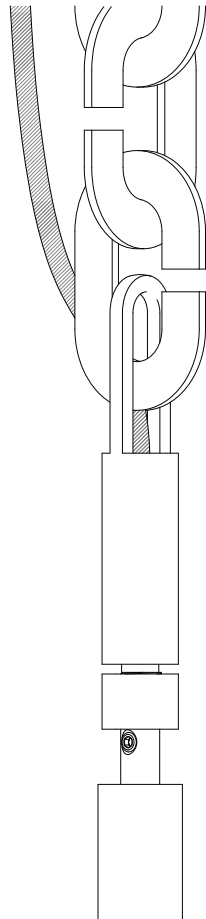
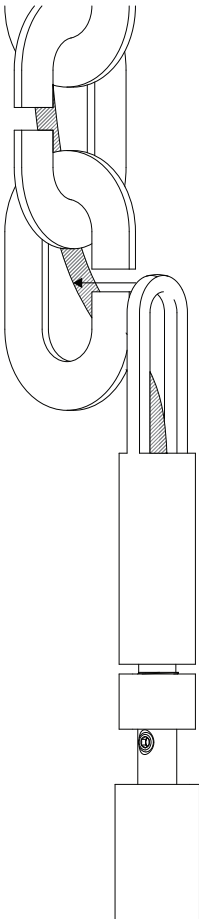




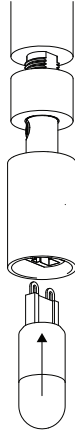
6.



7.



8.



9b.

9a.

